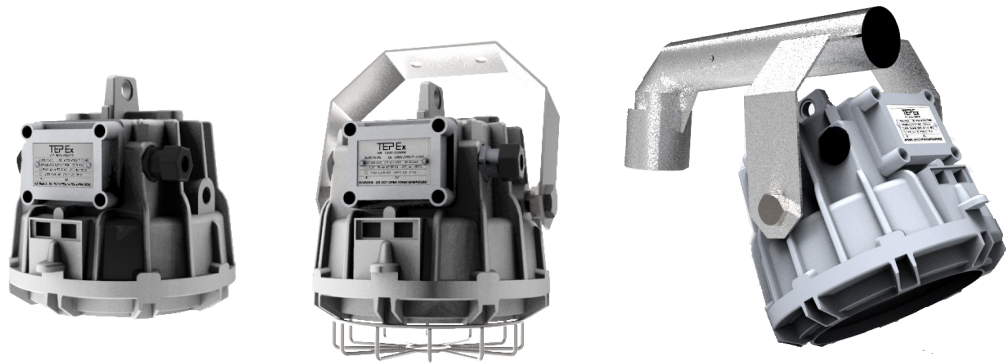


Zone 1, 2, 21, 22



APPLICATION

The luminaire is designed to light the industrial areas and facilities, also outdoor spaces with an explosion hazard of gases, vapors and flammable fogs mixed with air.
 Hazardous zones: 1,2, 21, 22.
 Product is compliant with ATEX, LV, EMC, RoHS Directive EU.

CONSTRUCTION

Housing: aluminum powder painted casting
 Diffuser: borosilicate glass
 Accessories: protected galvanized steel gird, assembly kit for wall, pipe and ceiling mounting
 Gasket: silicon
 LED components: LED-Bridgelux, LED-BJB, LED driver-MW, TI-Amasan

TECHNICAL DATA

Certificate:	ATEX
Marking:	CE 2465
Apparatus category:	II 2G II 2D
Marking of explosion protection:	Ex de IIC T6 Gb Ex tb IIIC T80°C Db
Environment tempera-	-40°C ≤ Ta ≤ +50°C
Degree of protection:	IP 66
Resistance to shock:	IK 08
Insulation class :	I (protective earthing) in accordance with EN 61140
LED driver:	With OVP, OCP, OTP protection An autonomous activation after recovery
Rated voltage:	90 - 305 V AC 127 - 431 V DC
Frequency:	50/60 Hz
Rated power:	50W
Power factor:	cos φ > 0,96
Nominal luminous flux:	5000 lm, at t _{amb} =25 °C
Average lifetime :	70 000 hours
Cable entrys:	2 x M25x1.5 - ISO 25
Connecting terminals:	L1, L2, L3, N; max. 2 x 2,5 mm ² solid, flexible PE terminal ; max 2x6mm ² External PA terminal -PA; max 2x6mm ²
Cable glands and plugs:	1x cable gland ISO 25 (for cable φ 6-15mm) 1x plug ISO 25
Waight:	7,0 kg

Ex PENDANT LIGHT FITTING type PLFS LED 50

MODEL CODE

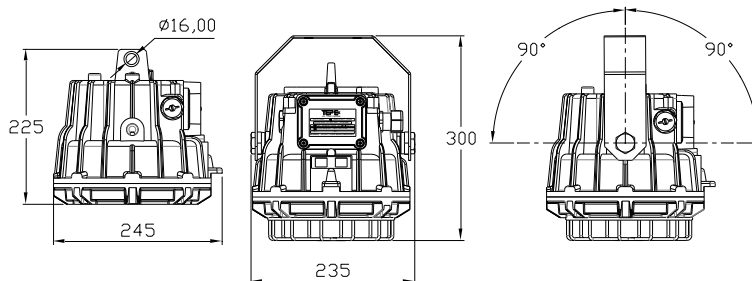
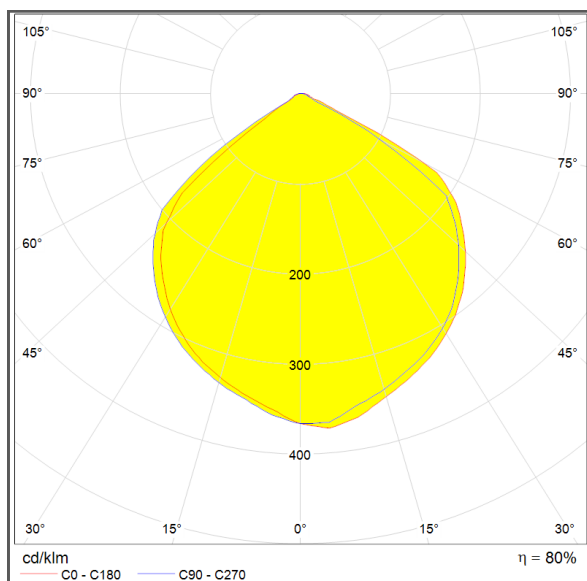
TYPE	WATTAGE	LUMINOUS FLUX [lm] $t_{amb}=25^{\circ}C$	AMBIENT TEMP.	CRI The color rendering index	CCT (Correlated color temperature) [K]
PLFS LED 50	50 W	5000	-40°C + 50°C	80	4500

MOUNTING

Pendant, on pipe, wall, ceiling mounting

POLAR CURVE

DIMENSION [mm]



SPARE PARTS AND ACCESSORIES

SKETCH	DESCRIPTION	CODE	SKETCH	DESCRIPTION	CODE
	Replacement glass PLFS LED	PLFS LED 10-120		Ex e cable gland M25	SPU 25
	Wire guard PLFS LED	PLFS LED 10-130		Ex e plug M25,	SPC 25
	Cover Exe PLFS	PLFS 10-150		PLFS-T fixing bracket for tube R 1 1/2"	PLFS 20-120
	External reflector PLFS	PLFS 20-100		PLFS-T mounting bracket (ceiling and wall mounting)	PLFS 20-130